



USER GUIDE bikecharger model RPD 501 v20200521 – 5pgs
 (Save and read carefully before installation)

1

1. Two available models:



Model 501 basic (sockets mennekes-schuko M11162 or since 2017 ABLsursum schuko 1662002)



With standard logos

Model 501 security (sockets mennekes mono NF e-mobility)



Example: on demand different logos are possible





2. Description.

- **Wall mounted charger 230V with two mono electrical sockets 16A/250V**
- **Use: both in-and outside.**
- **Available in basic- and securitymodel and colored logo.**
- **With clear signs for simple use.**
- **Sturdy construction in corrosion resistant and weatherproof materials.**

2

3. Used materials:

- **The wallplate is black anodized aluminum**
- **In the basic model, the outlet holders are in copolymer POM-C**
- **The wall mounting cover caps are also in copolymer POM-C**
- **The housing : Osstyrol ABS-HH (UL94)**
- **The housing meets IP 65, the electrical sockets IP44 or IP54 (abl sursum)**
- **Sockets basic model: Mennekes-schuko 11162 or ABL-sursum 1662002**
- **Sockets security model: Mennekes NF E-mobility M30016**

4. Points of attention

- **The technical info of the charger can be found at the bottom of the housing.**
- **Never clean with solvents or high pressure washer**
- **For your information: plastic parts can discolor and degenerate under the influence of solar radiation (UV) and weather conditions.**
- **For optimal safety (in case of rain) it is recommended to place the charger under a canopy. Don't fix the charger pointing in regular rain direction.**
- **Mount on an even/flat surface.**

5. The electrical information

The installation must meet the local electrical laws.

Placement may only be performed by a licensed craftsman.

The power cable starts from a distribution box indoors

(We recommend cabletype VVB of XVB 3G2,5)

There MUST be a separate circuit with required configuration:

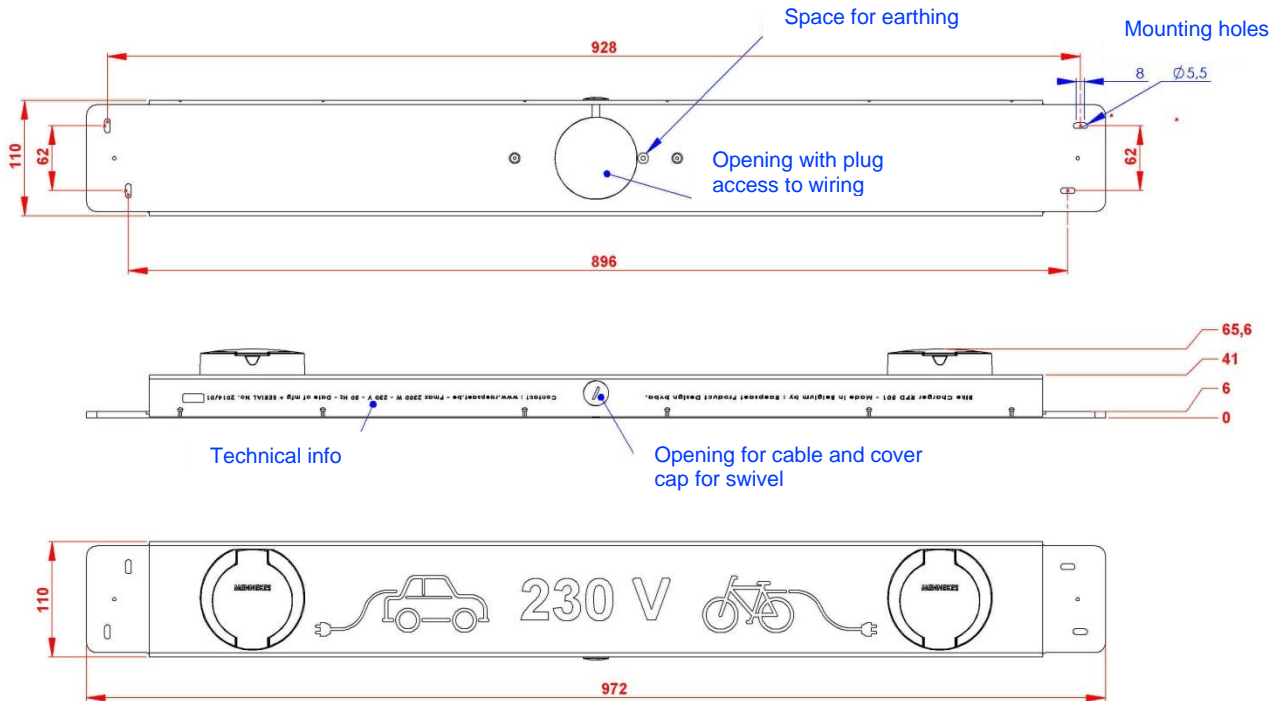
- **An automatic fuse MCB 10A max**
- **A differential switch RCD 30mA if required by local laws**
- **An inspection by a authorized assessment organisation.**
- **Connect with care and knowledge of skill. Pay particular attention to connecting grounding.**

In case of damage, the charger can no longer be connected and damaged parts must be replaced.



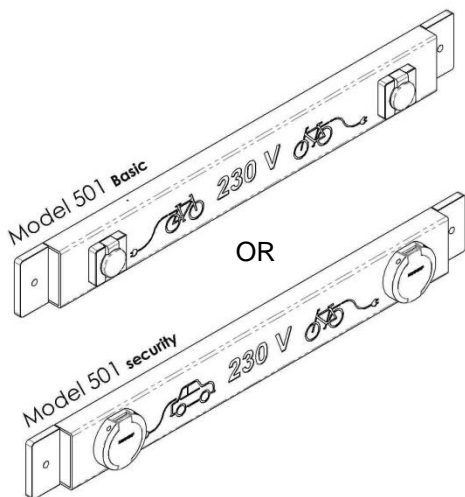


Mechanical information



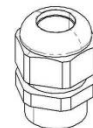
3

6. Overview of parts



- Pre-assembled and wired:
- charger housing with colored engraving
 - two electrical plugs
 - two wall-mounting covercaps
 - wallplate
 - plug/opening back
 - pushwire connector (already connected to outlets)
 - grounding screw in aluminum wall plate

Loose parts



Cable gland \varnothing 6-12 mm



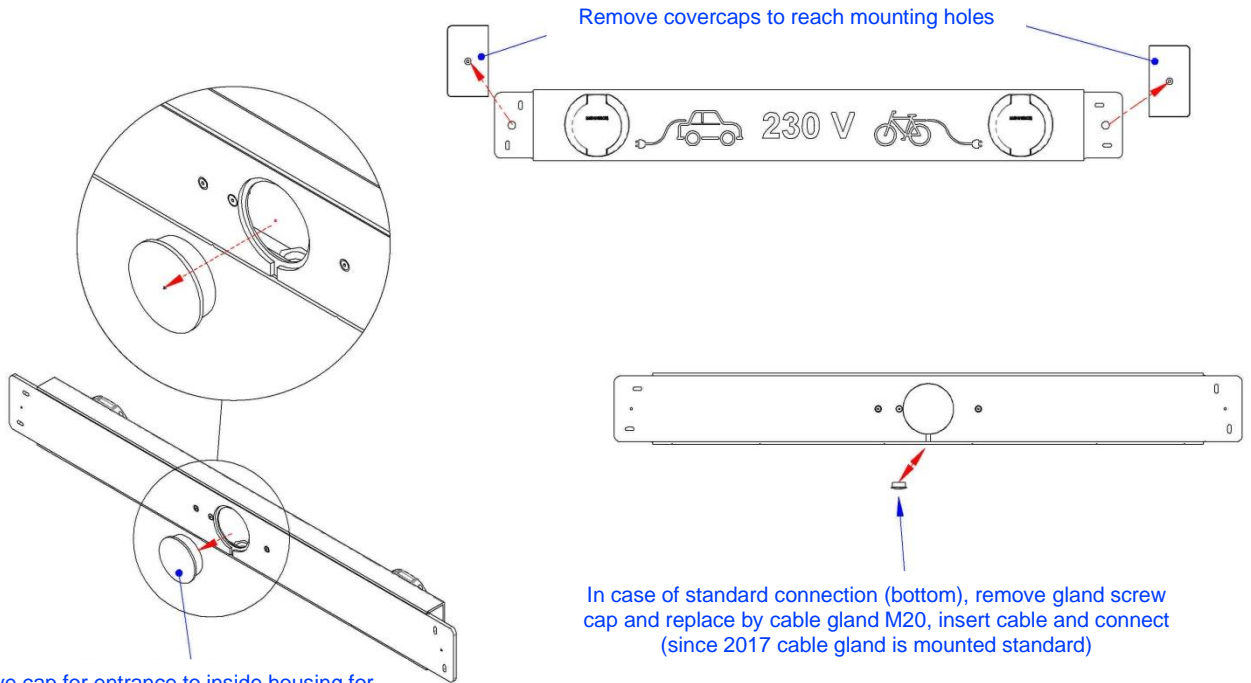
Plug for covercap



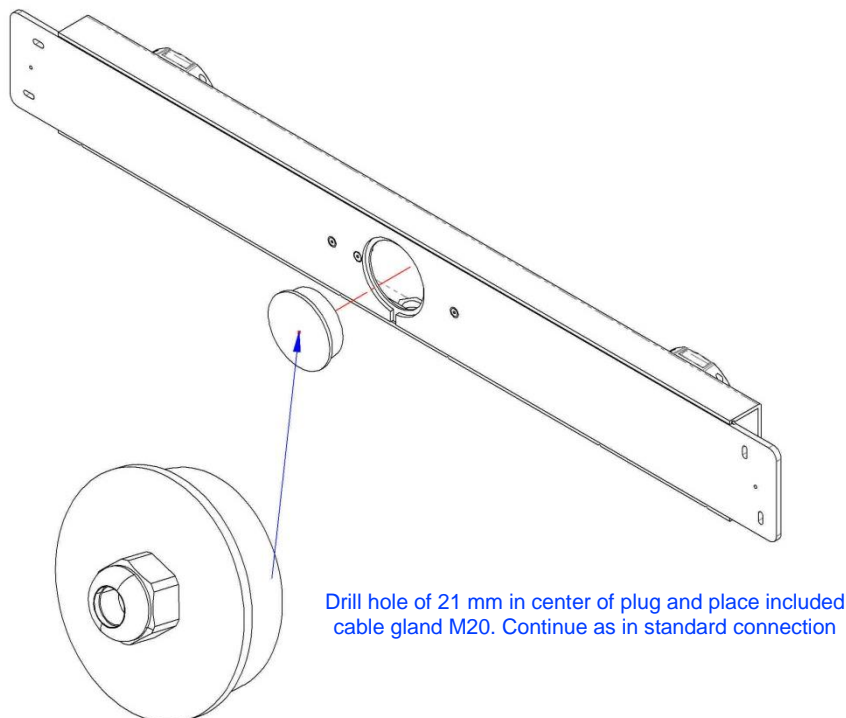


7. Preparation installation and connection

4



8. Alternative connection on back side (only if charger is mounted in covered space).

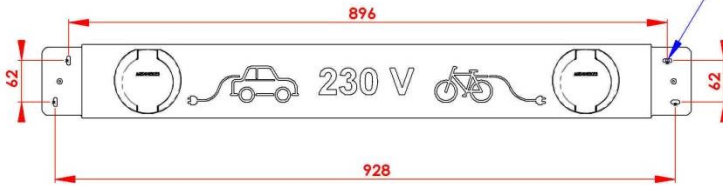




5

9. Mounting against a wall (beware: a flat surface is mandatory)

Place with 4 screws cil head Ø 5 mm max and lenght 50 mm min.
Adapt screwsize and - lenght to surface .
Anchor firmly.



Place wall mounting cover caps on the backplate with original screws



Put plugs in screw holes

