



Manual RPD401-bikecharger V20200521 / 4pages
(read before placement)

1. Description bicycle charger.

Housing with two electrical sockets to charge electric powered bicycles

Use: both in- and outdoors

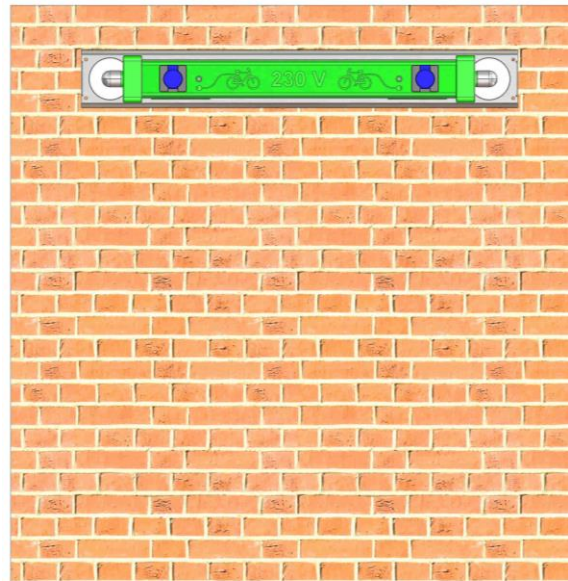
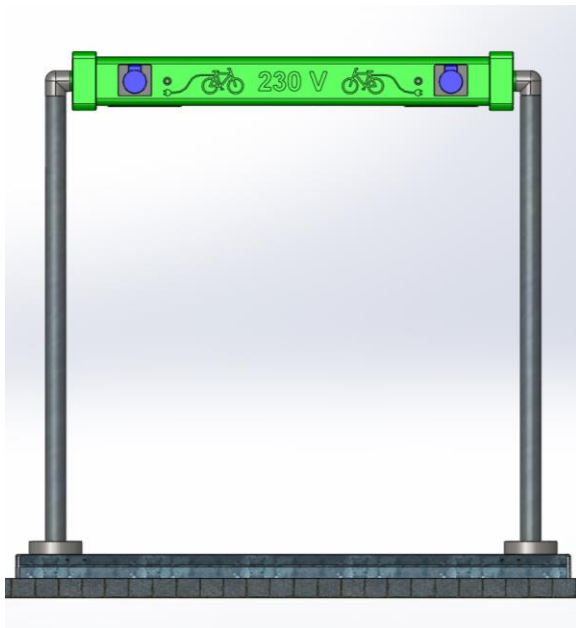
Available as floor or wall model

With clear signs for simple use.

Sturdy construction in corrosion resistant and weatherproof materials.

(voor marina environment please contact us)

1



2. Materials:

The floorplate is hot rolled steel 4mm, hot-dip galvanised

The tubing, floor flanges, curves and wallplate are stainless steel 316.

The electrical compartment (green on the drawing): aluminum.

The housing meets IP 65

Electrical sockets: Mennekes-schuko 2P+T+ childproof type 11181 of 11162

16A/230V - IP44

or ABL-sursum-schuko 2P+T+childproof type 1662002 16A/250V-IP54

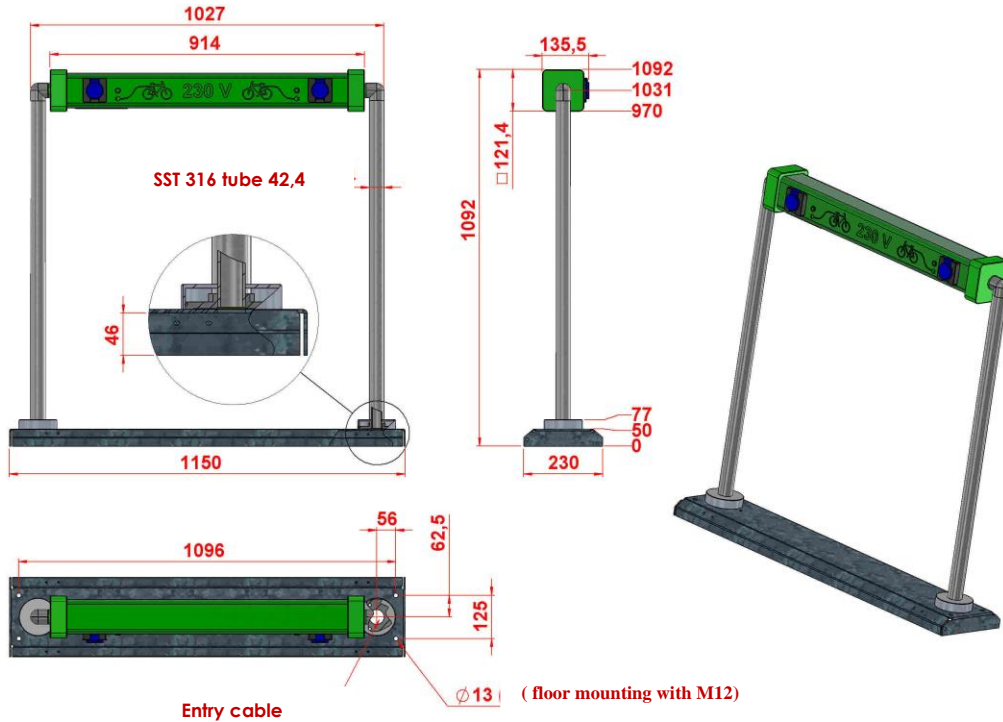




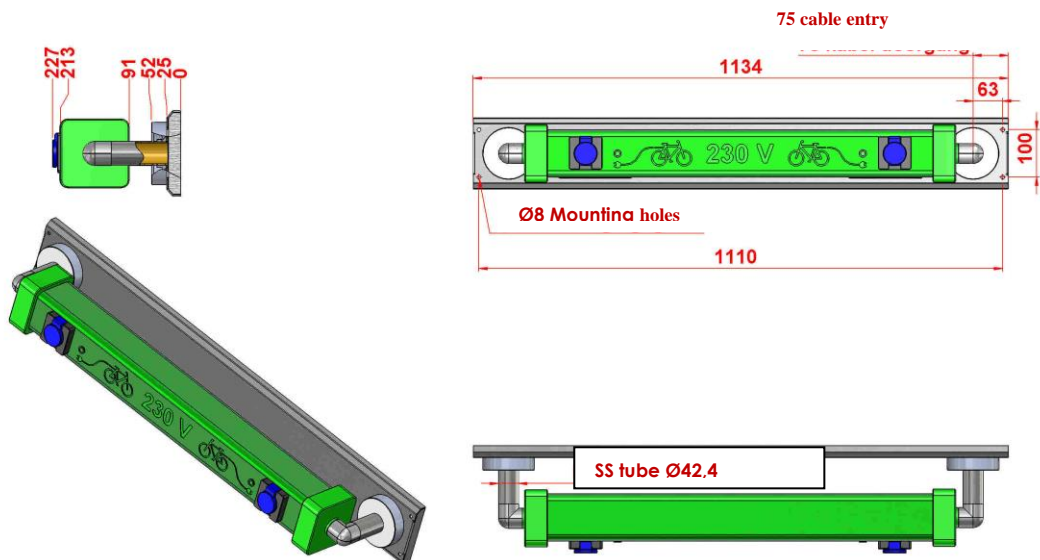
3. Mechanical basic dimensions + info for placement floor model

Dimensions floormodel:

2



Dimensions wallmodel:

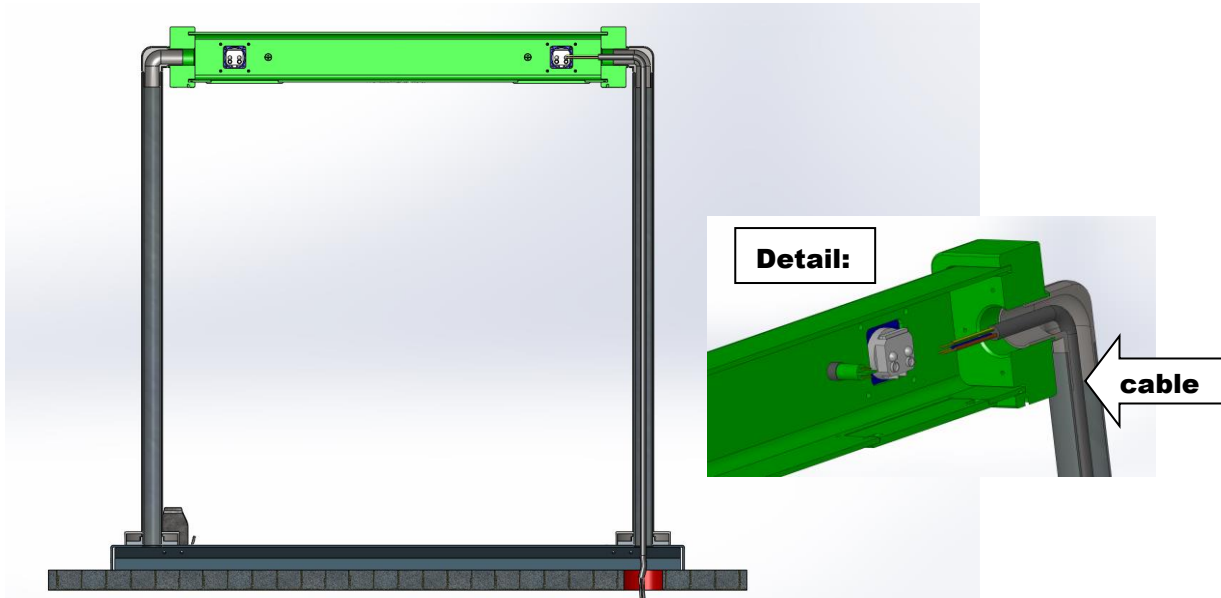




4. Transit powercable

Cable transit through floor- or wallplate is possible through the ss tubes left as well as right

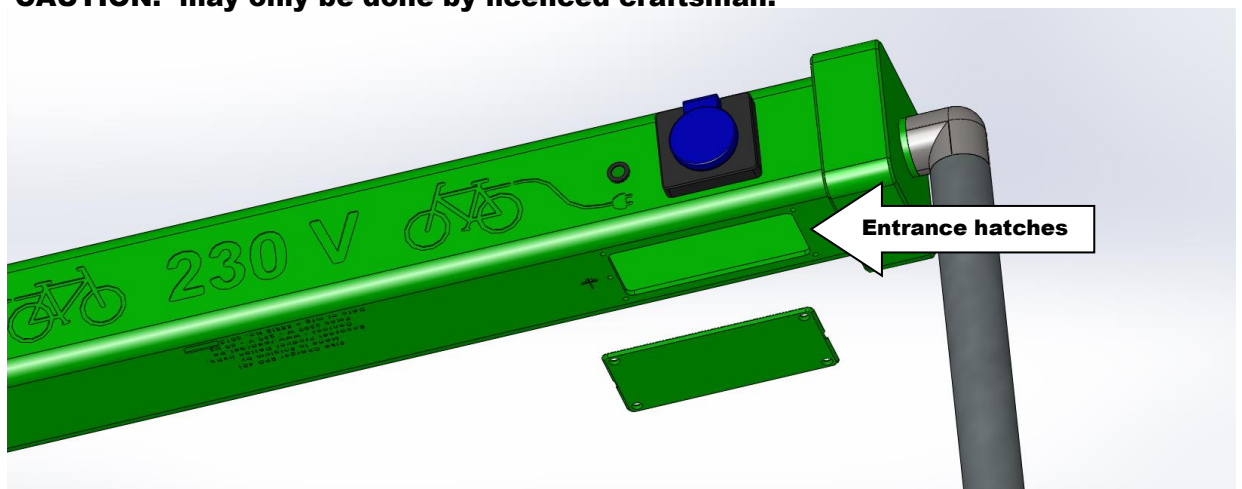
3



5. Access to the electrical part

Along one of the two small access hatches

CAUTION: may only be done by licenced craftsman.

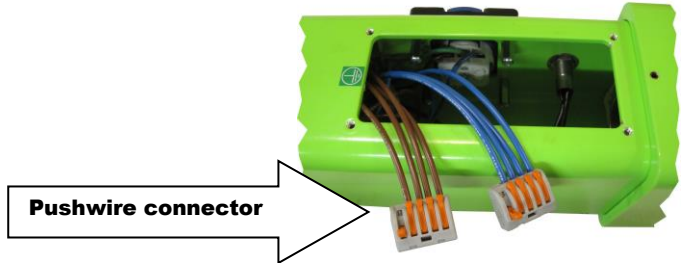




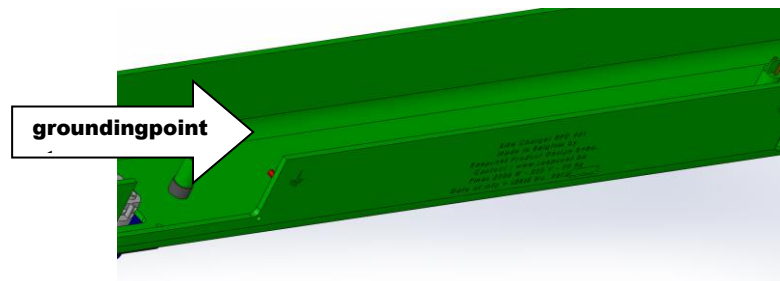
4

6. Connection power cable.

The electrical sockets + indicator lights are pre-wired.
The installer only has to connect the power cable to the pushwire connectors.



Connect groundingwire with care to the central groundingpoint:



7. Technical characteristics + serial number:

Are located at the bottom of the electrical compartment



8. Requirements for electrical intallation:

The installation must meet the local electrical laws
The power cable starts from a distribution box inside.
There **MUST** be a seperate circuit with mandatory configuration:

- An automatic fuse 10A max
- A differential switch 30mA if required by local laws
- An inspection of the installation by an authorized assessment agency.

In case of damage, the charger can no longer be connected and damaged parts must be replaced.

